

Conforms to the requirements of **BS EN 61340-5-1**. Based on test method **IEC 61340-2-3**
 Compliance verification limit values: $R_g < 1 \times 10^9 \Omega$ / $R_{gp} < 1 \times 10^9 \Omega$ / $R_{p-p} < 1 \times 10^9 \Omega$

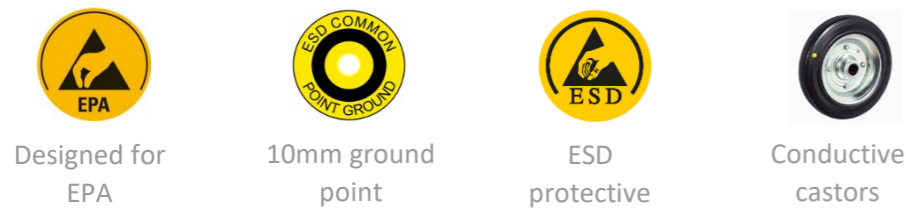
Specifications and features

- Manufactured in the UK
- Strong conductive plastic construction
- Adjustable binder holder included
- Four lockable conductive castors as standard
- Conductive levelling feet version available
- NFC/MIFARE® and ISO 15693 battery lock
- Manual key lock (optional)
- Three height adjustable shelves
- Lock management via master keys, laptop or app
- User manual and Declaration of Conformity provided
- Compliance Verification Certificate provided
- Bespoke versions available (MOQs may apply)

ESD cupboard trolley – features overview



**Perfect for secure, mobile storage of your EPA.
 Compliance verification test equipment!**




NFC/RFID lock – features




- Clear status indication via push button position (flush when locked)
- Vandal-proof installation
- NFC ready
- ISO 14443: MIFARE Classic 1k and 4k, Ultralight®, DESFire EV1® and EV2®
- Configuration via PC, data carrier (keys), or NFC (MoLA mobile app)
- Mechanical interlock (motor) for maximum reliability
- Records the last 150 lock events
- Reading field frequency of 13.56 MHz
- 3 x 1.5 V AA batteries (supplied)
- Up to 5 years or 30,000 cycles with standard alkaline batteries
- CE, FCC compliance
- Up to 32 cards can be assigned per cupboard
- User/equipment security tracking via lock event logs
- NFC enabled Android phone
- Android OS 4.4.0 or above
- 1 app key configuration set required for unlimited cupboards




Secure!



Android!



NFC!




Manage your battery-powered locks with your mobile device.

Configure multiple locks using the auto-increment option.

View and edit configuration parameters of the lock.

View when the lock was opened, closed or factory reset.



One-tap to configure locks
No messy cables. No laptop to carry.
Tap and configure locks in seconds!

HOW TO ORDER

Order example

ESDCPT/NFC/C/1/5

ESD cupboard, NFC lock, conductive castors, app key set With 5 RFID cards

ESDCPT / **NFC** / **C** / **1** / **5**

Lock options

NFC	NFC/MIFARE lock
M	Manual lock

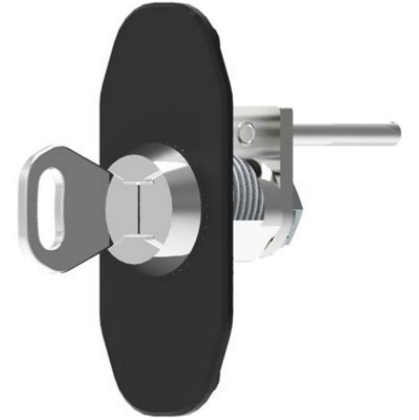
Mounting options

C	Conductive castors
F	Conductive feet

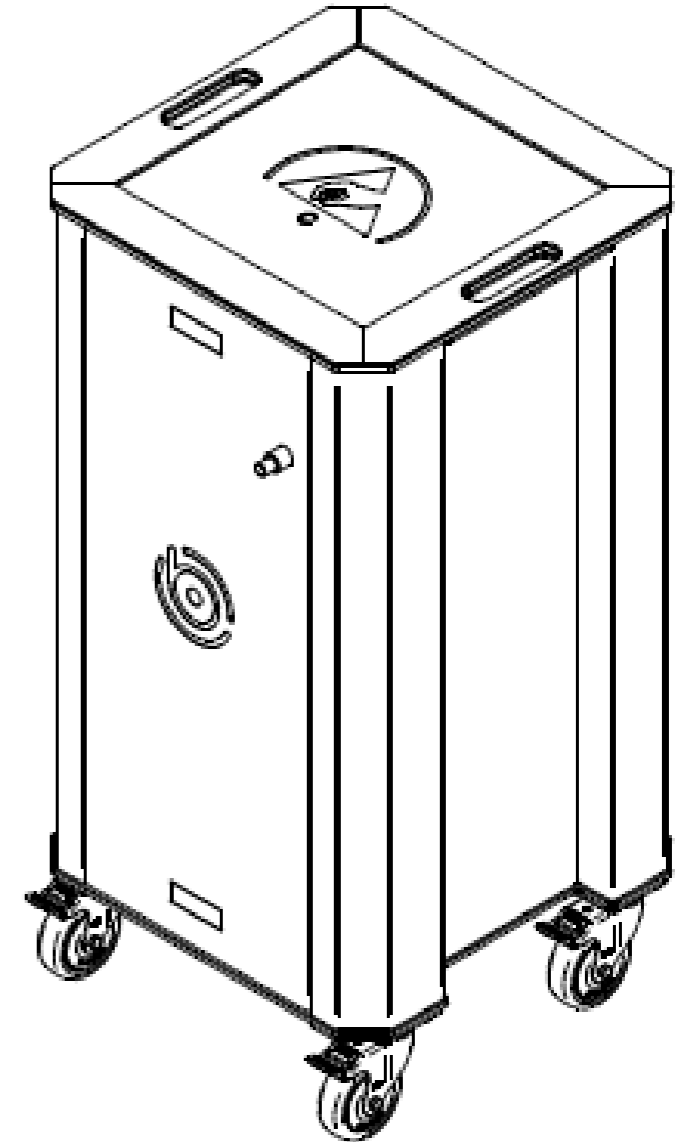
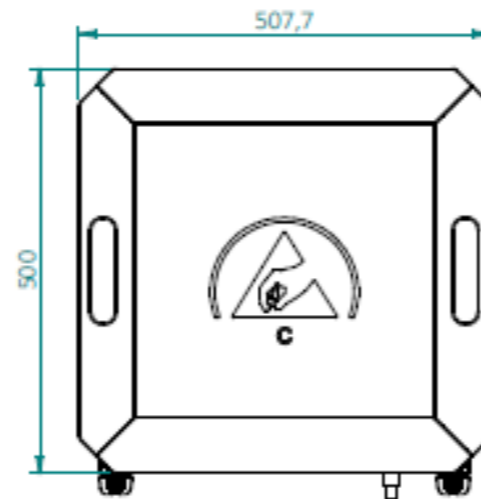
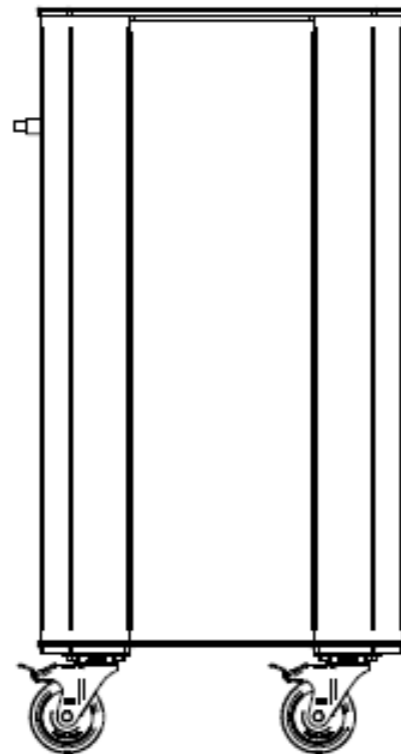
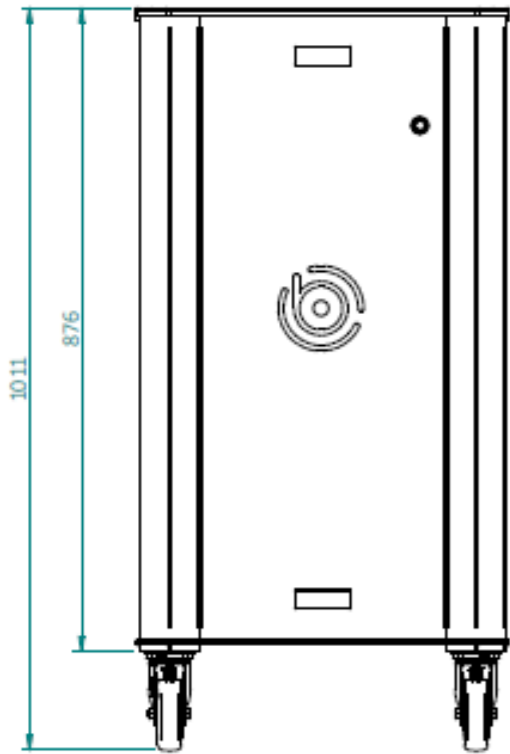
Master app key set

0	None supplied
1	1 Set

**** RFID cards for NFC



Manual key lock version



Issue 1