

Conforms to the requirements of **BS EN 61340-5-1**. Based on test method **IEC 61340-2-3**
 Compliance verification limit values: $R_g < 1 \times 10^9 \Omega$ / $R_{gp} < 1 \times 10^9 \Omega$ / $R_{p-p} < 1 \times 10^9 \Omega$

Specifications and features

- Manufactured in the UK
- Strong conductive plastic construction
- Adjustable binder holder included (standard height only)
- Four lockable conductive castors as standard
- Conductive levelling feet version available
- Single lock or multi-lock drawer options
- Key, pin code and RFID lock type variants available
- Multiple drawer combinations
- Bespoke anti-static foam inserts (cut to suit your EPA equipment) are available – POA
- User manual and Declaration of Conformity provided
- Compliance Verification Certificate provided
- Bespoke versions available (MOQs may apply)

Single lock pin code drawer trolley



Designed for EPA



10mm ground point



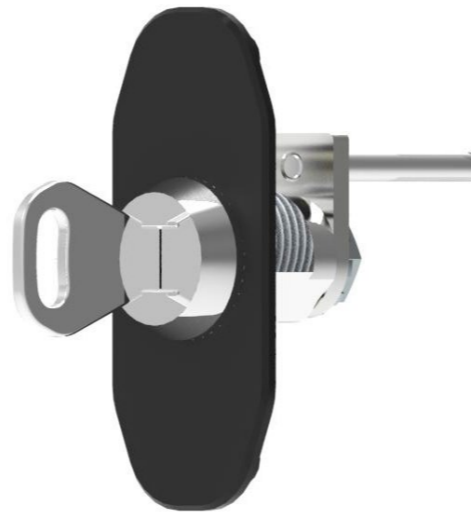
ESD protective



Conductive castors



ESD drawer trolley – manual
Key lock option



An economical manual key lock version.

No lock under desk trolley



ESD drawer trolley – electronic
Pin code lock option



A stand-alone battery driven code lock with long life and sleek design.

- The lock has 3 code digit levels User, 4 Staff, 6 Master, 8 digits
- Private or public lock modes
- USB port
- 10 user codes per lock
- Batteries: 3 x AAA
- 25,000 lock openings
- Lock time-delay function for wrong code entries
- Audible and illumination indication feedback

ESD drawer trolley – electronic
RFID lock option



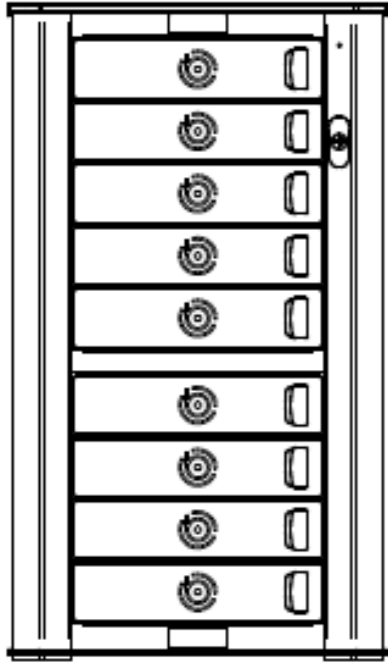
A battery driven RFID card lock with long life and sleek design.

- MIFARE Classic technology
- The lock has 3 card levels User, Staff and Master
- USB port
- Private or public lock modes
- 20 user card per lock
- Batteries: 3 x AAA
- Up to 15,000 lock openings
- Audible and illumination indication feedback

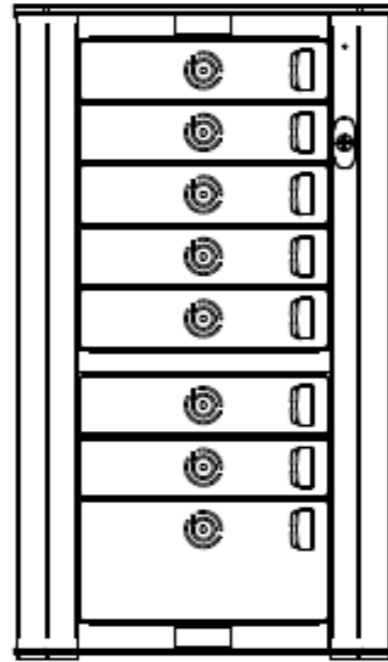
Drawer combinations

Standard trolley height – overall dimensions (with castors): H: 1011 x W: 508 x D: 500 mm

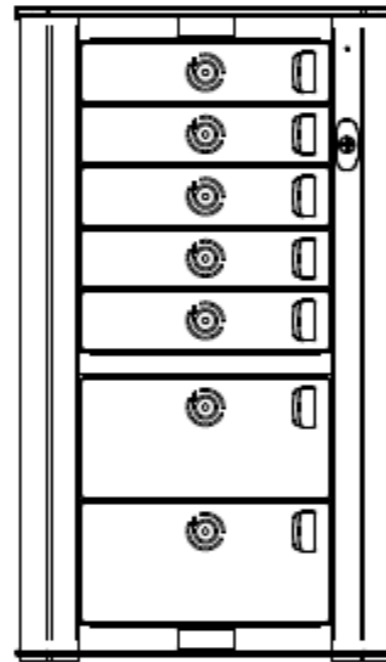
9 drawer trolley
Small drawers



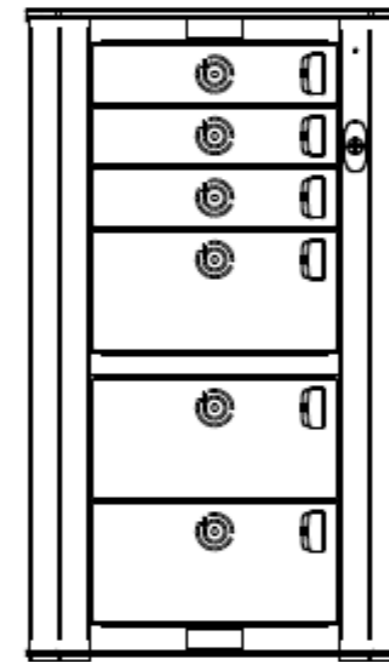
8 drawer trolley
7 x small – 1 x large drawers



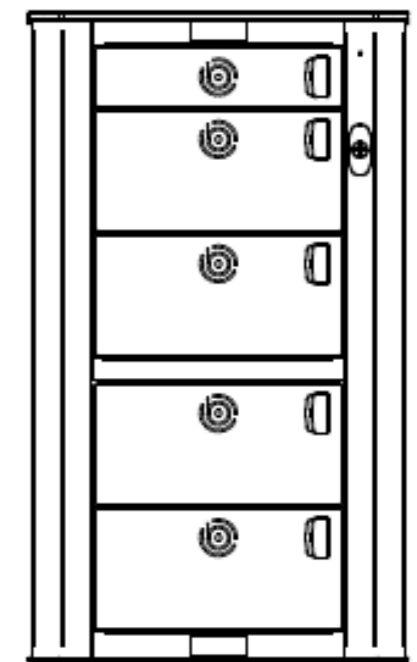
7 drawer trolley
5 x small – 2 x large drawers



6 drawer trolley
3 x small – 3 x large drawers



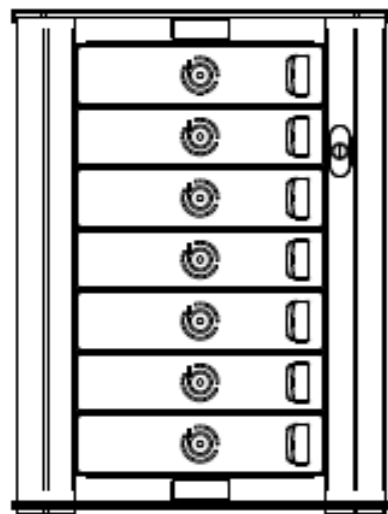
5 drawer trolley
1 x small – 4 x large drawers



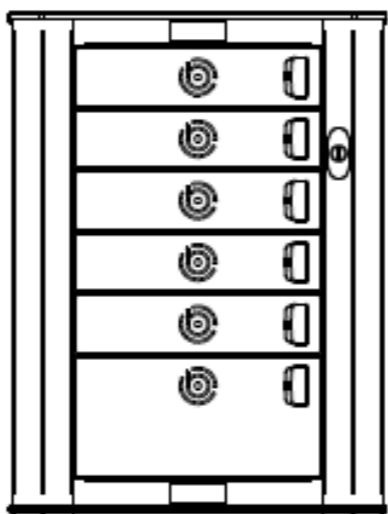
Drawer combinations

Under desk trolley height – overall dimensions (with castors): H: 750 x W: 508 x D: 500 mm

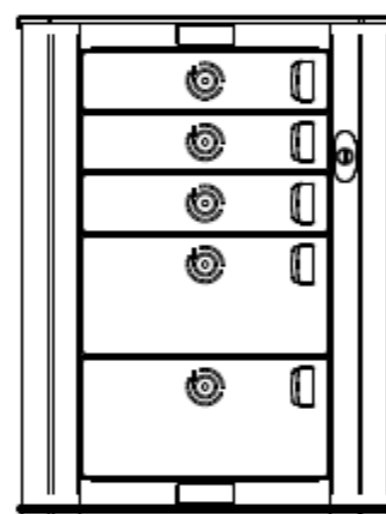
7 drawer trolley
Small drawers



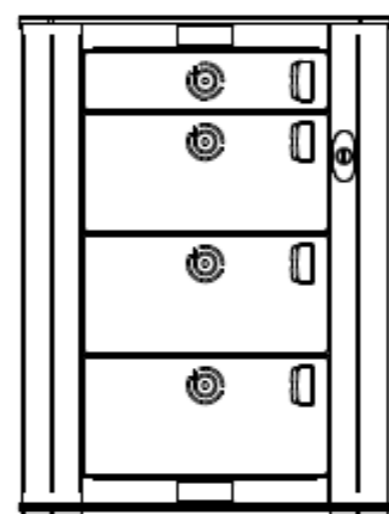
6 drawer trolley
5 x small – 1 x large drawers



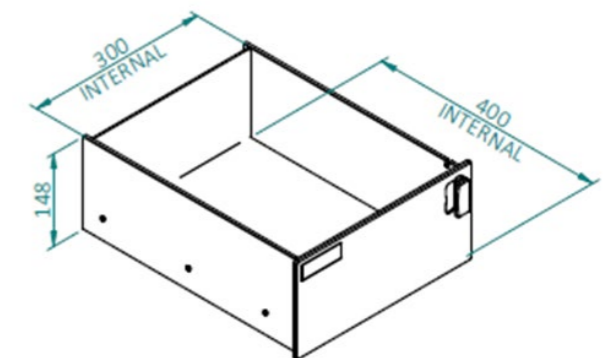
5 drawer trolley
3 x small – 2 x large drawers



4 drawer trolley
1 x small – 3 x large drawers



Common drawer dimensions - mm
Small H: 68 x W: 300 x D: 400
Large H: 148 x W: 300 x D: 400



HOW TO ORDER

Order example

ESDNMUDDT/4/C/R/5

Multi lock combo, under desk, 4 drawers, conductive castors, RFID locks, with 5 RFID cards.

ESD **NM** **UD** DT / **4** / **C** / **R** / **5**

Lock options

NL	No lock
SL	Single lock
ML	Multi lock*
NM	No/multi lock combo*

Height options

SH	Standard height
UD	Under desk

Standard height drawer options

5	5 drawers
6	6 drawers
7	7 drawers
8	8 drawers
9	9 drawers

Under desk drawer options

4	4 drawers
5	5 drawers
6	6 drawers
7	7 drawers

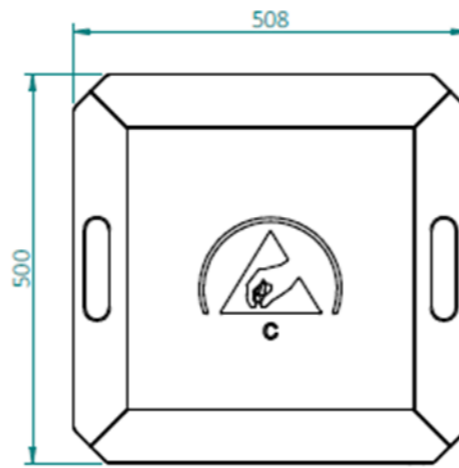
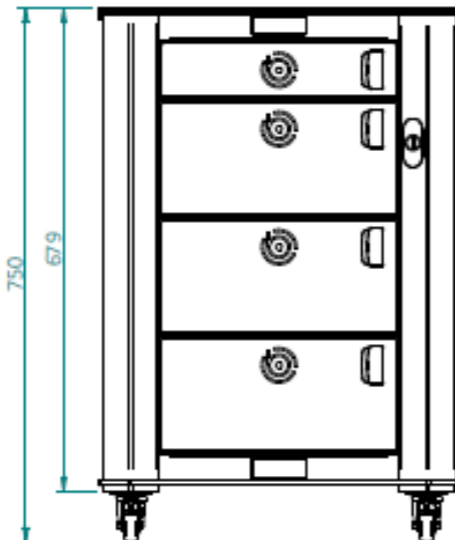
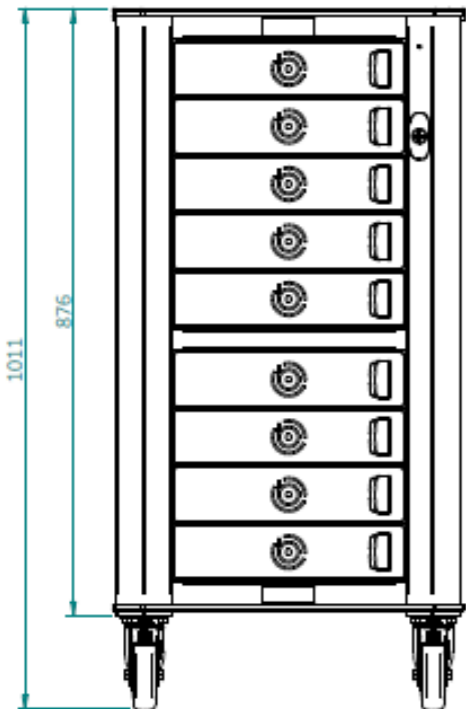
******** RFID cards for NFC

Lock type

N	None - N/A
M	Manual lock
P	Pin code lock
R	RFID lock

Mounting options

C	Conductive castors
F	Conductive feet



Ordering notes

*Lock options:

ML, multi lock is only available with electronic pin or RFID lock versions.

NM, No/multi lock combos need to be defined with order.

As order example, 3 RFID locks and 1 unlocked drawer.

*Lock numbers:

When ordering the combo option, the drawer numbering starts at 1 at the top of the trolley, working downwards.

As order example, 1 unlocked @ drawer number 1 and 3 RFID @ drawers 2 to 4.



Issue 1